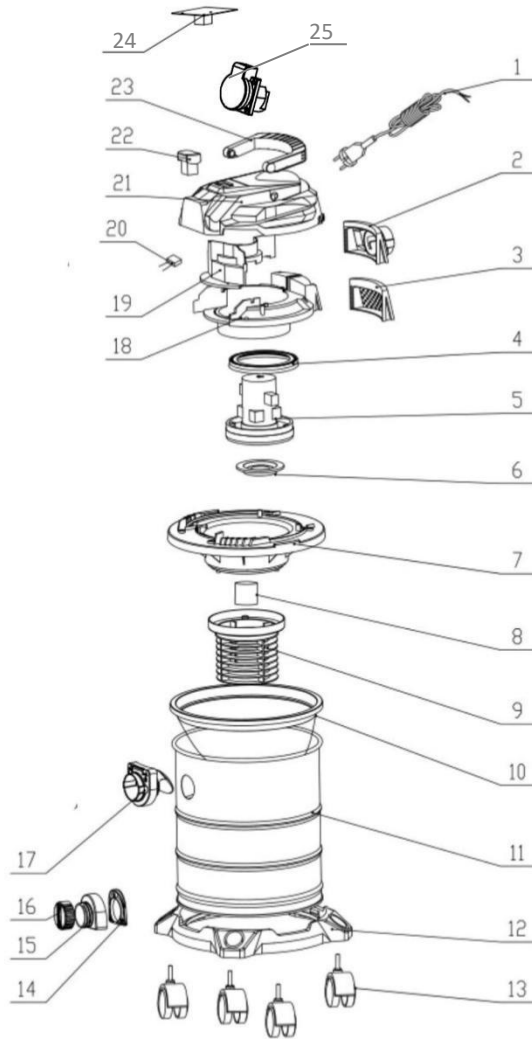


1. Power cord
2. Blowing board
3. Air outlet board
4. Air inlet ring
5. Motor
6. Motor seal ring
7. Barrel cap
8. Security valve
9. Bottom cover basket
10. Cloth filter
11. Stainless steel barrel
12. Base
13. Universal wheel
14. Outlet mounting plate
15. Drain outlet
16. Drain cover
17. Suction mouth
18. Motor base cover
19. Motor base board
20. Capacitor
21. Top cover
22. Water proof switch
23. Handle
24. PCB board
25. Power socket



SPARE PARTS LIST

- | | |
|------------------------|------------------|
| 1. Plastic hose | 5. Paper bag |
| 2. Telescopic tube | 6. Cloth filter |
| 3. Wet&dry floor brush | 7. Sponge filter |
| 4. Crevice nozzle | 8. Tool adapter |

1	2	3	4	5	6	7	8
